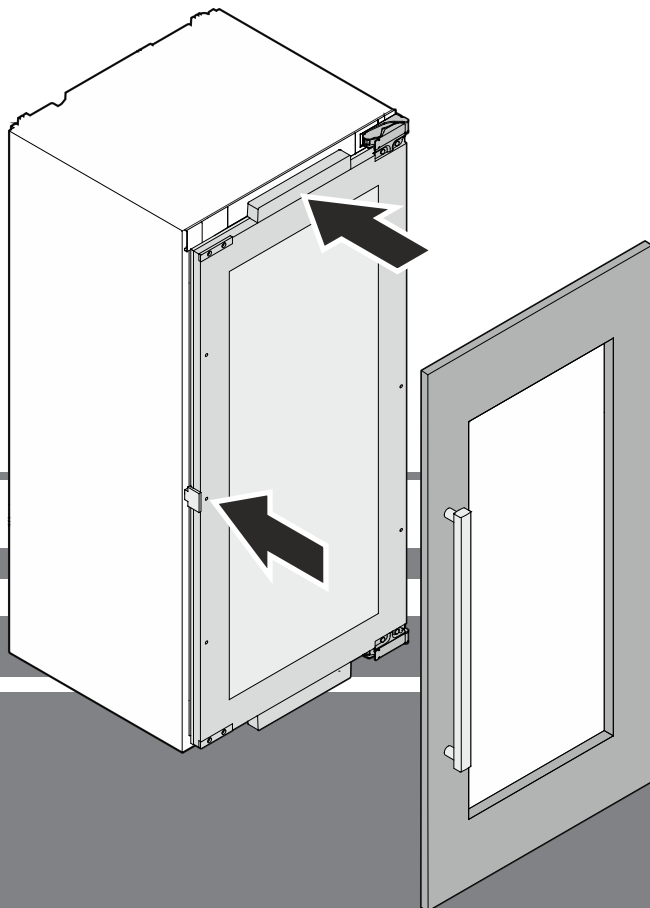


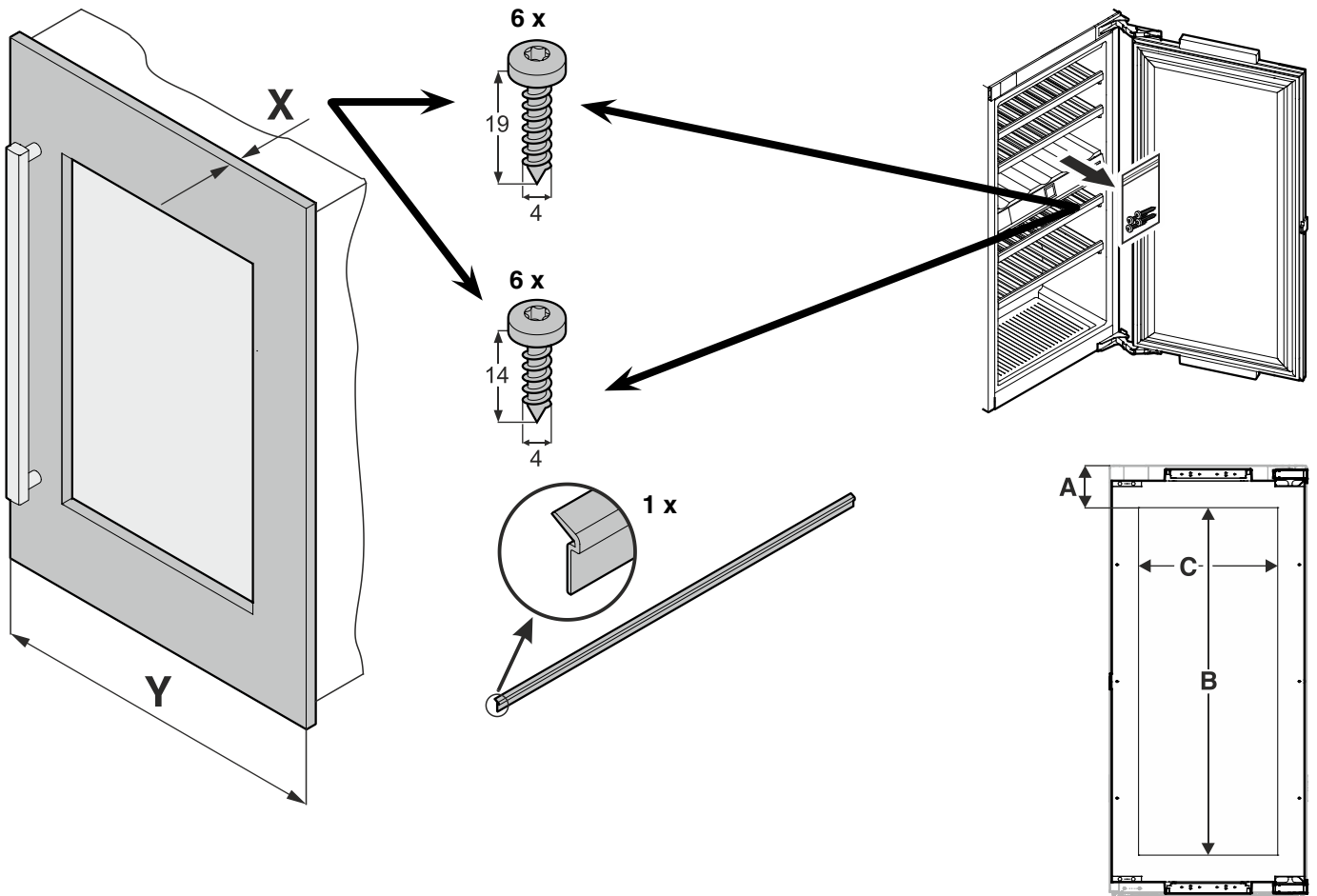
Montageanleitung / Assembly instructions



7085 661-00

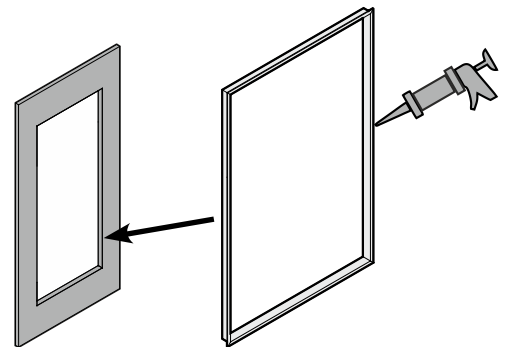
EWTdf 1653 / 2353 / 3553



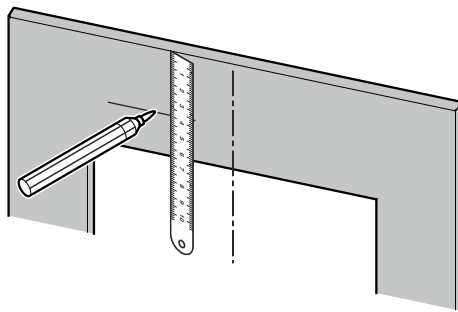
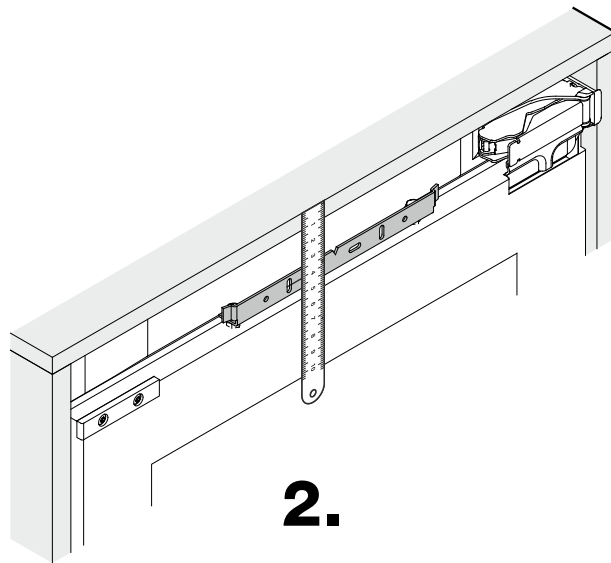
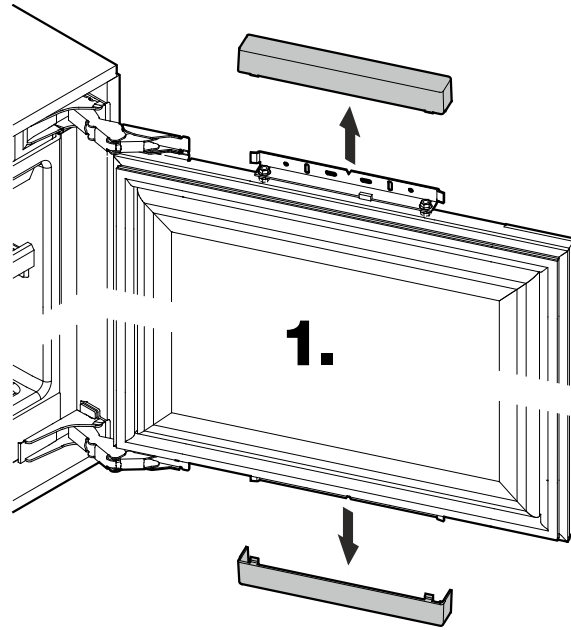


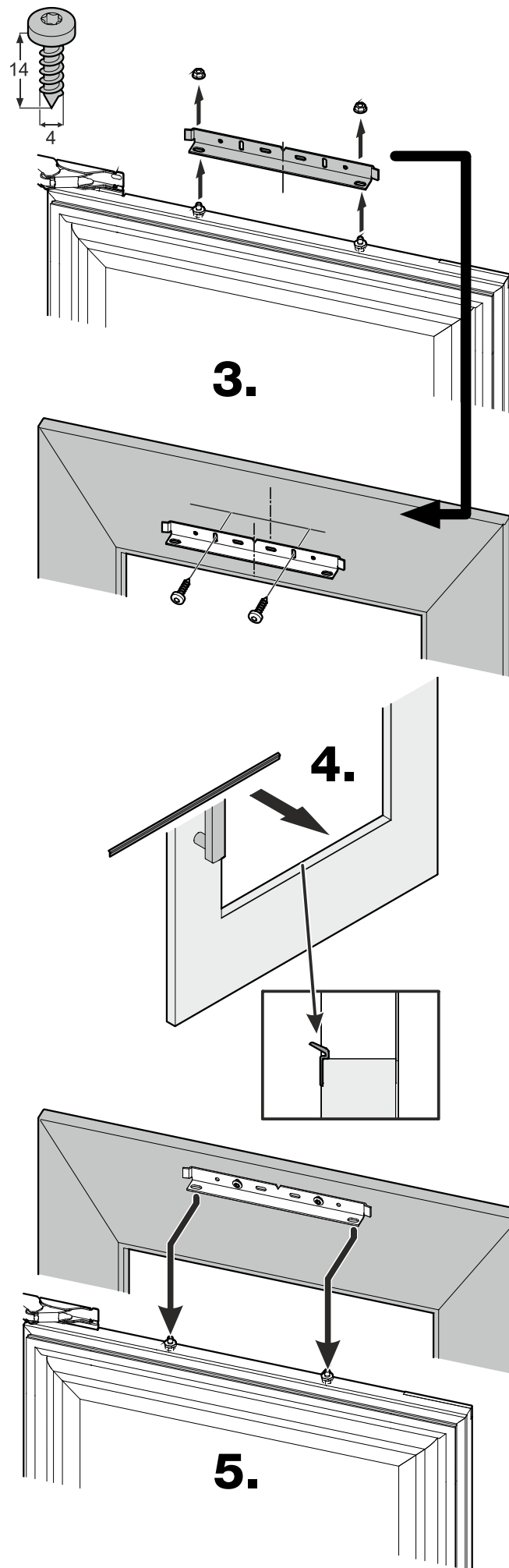
| Panel Dimension max. | | | | | | |
|----------------------|----------------|----------------|----------------|--------------------|-----------|----------------|
| | A (mm / MM) | B (mm / MM) | C (mm / MM) | X (mm / MM) | | Y (mm / MM) |
| EWTdf 16.. | min. 119 | max. 637 | max. 395mm | min. 16 max. 22 | max. 20kg | 595 |
| EWTdf 23.. | | max. 983 | | | | |
| EWTdf 35.. | | max. 1535 | | | | |

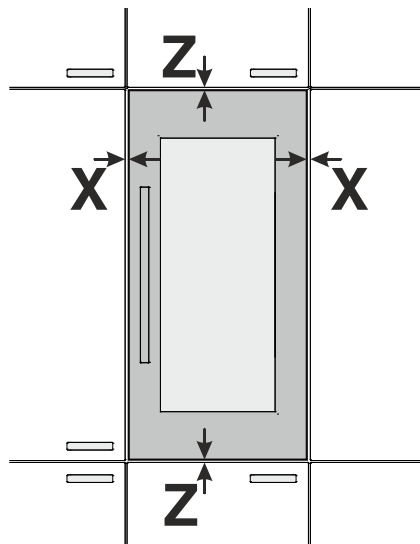
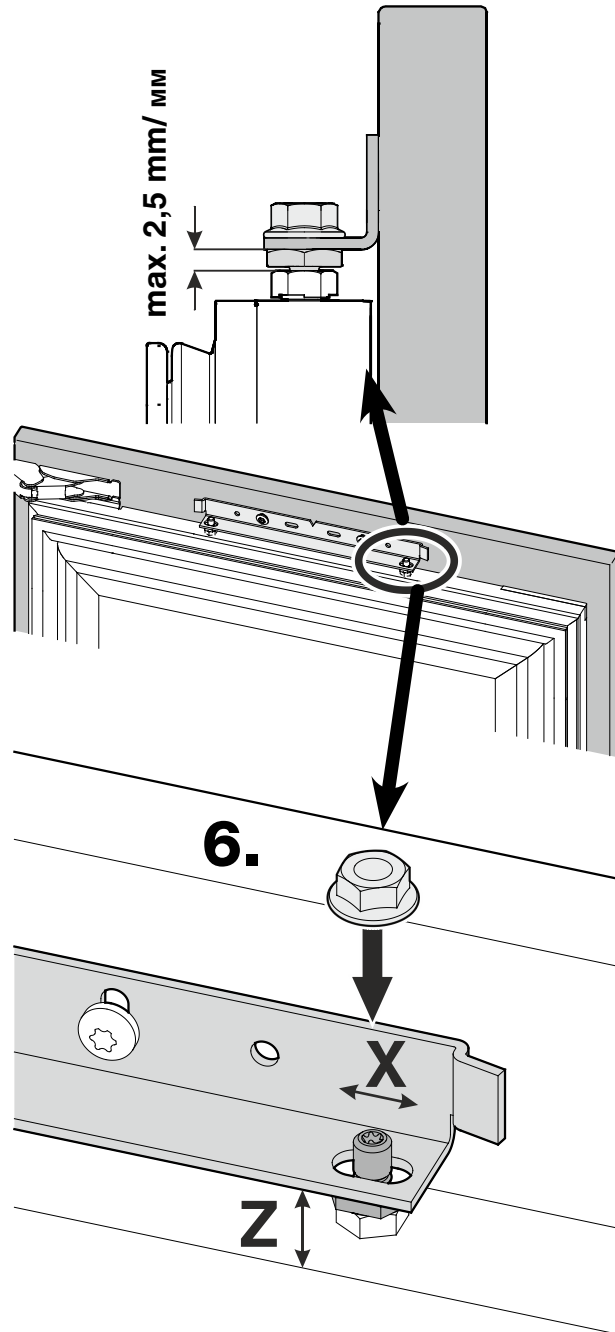
Panel Dimension for aluminium profil frames with thickness X (accessories)

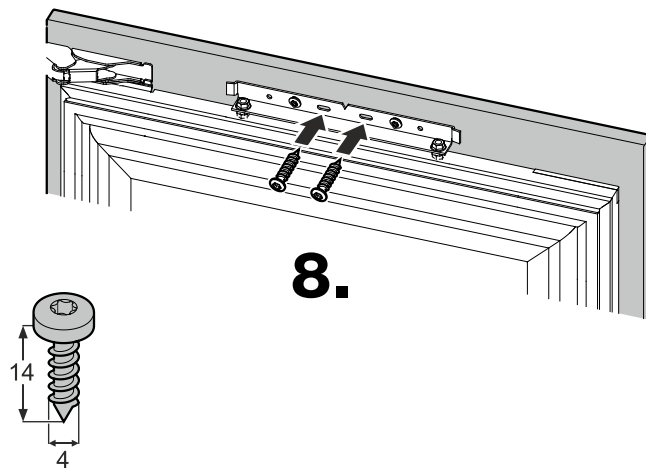
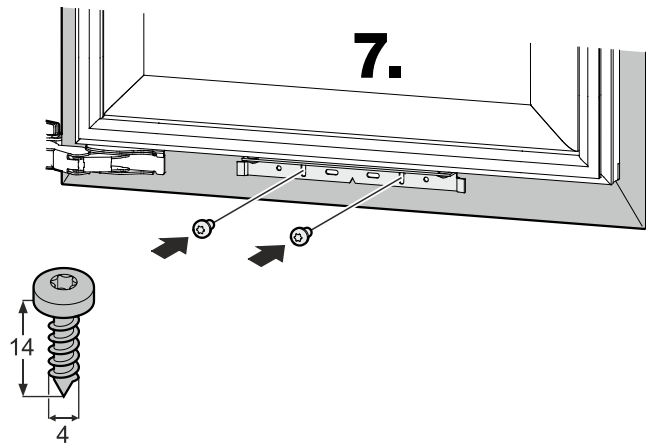


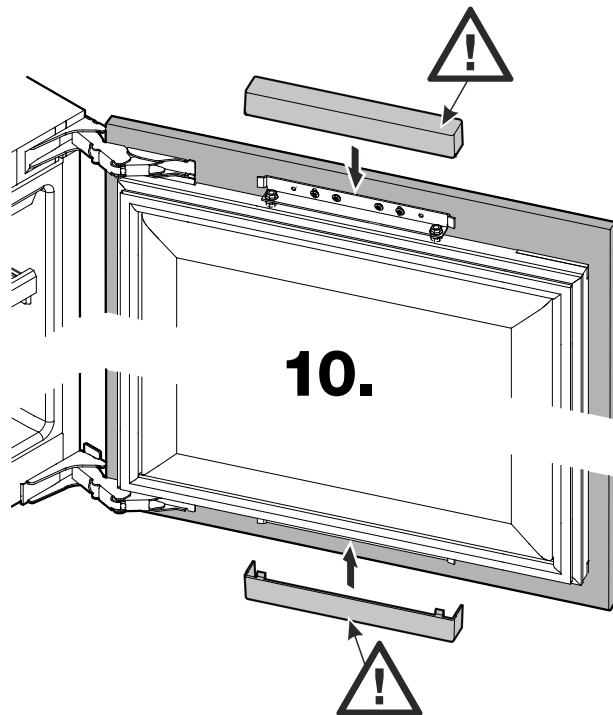
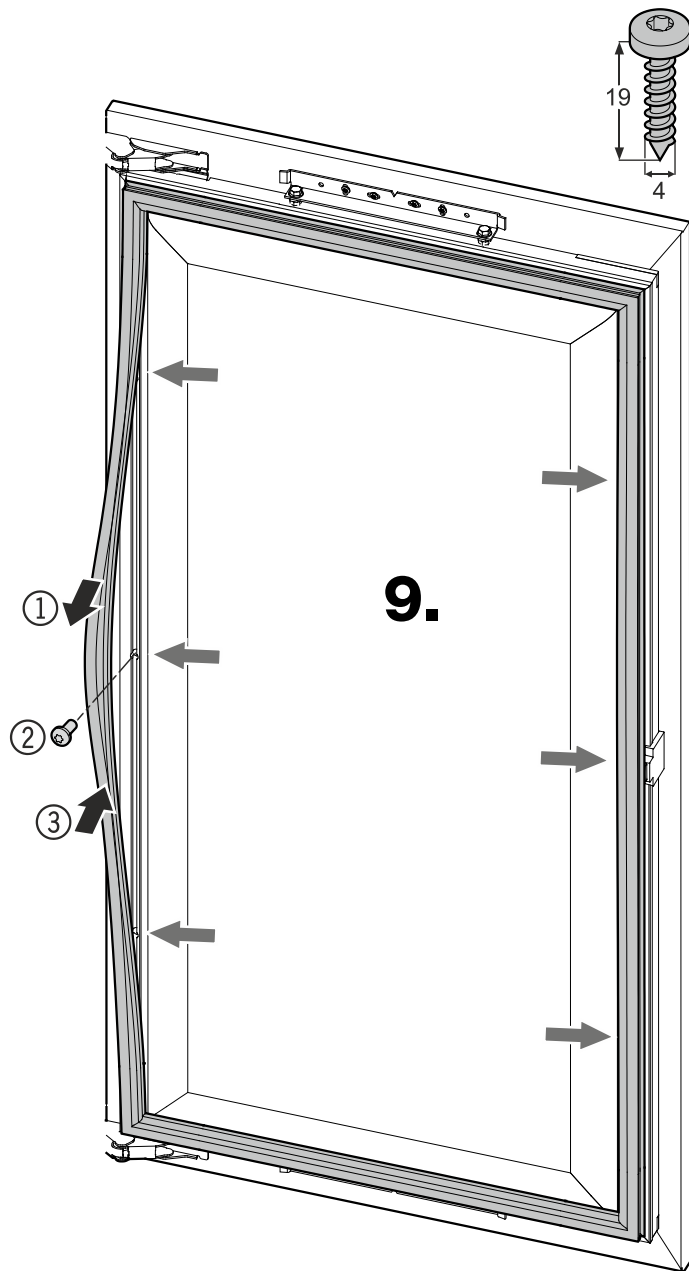
| | A (mm / MM) | B (mm / MM) | C (mm / MM) | X (mm / MM) |
|------------|----------------|----------------|----------------|----------------|
| EWTdf 16.. | 133 | 594 | 391 | 19 or 22 |
| EWTdf 23.. | 152 | 921 | | |
| EWTdf 35.. | 133 | 1504 | | |













Liebherr Hausgeräte Lienz GmbH * Dr.-Hans-Liebherr-Strasse 1 * A-9900 Lienz ** www.liebherr.com
